

# Click-In Power Supply 54VDC/130W 135x45

## Features

- Power Supply for Installation Switch Systems with 54V DC Input
- Full PoE plus, IEEE 802.3at, compatibility
- Easy and toolless installation
- Support of 45mm installation format
- Fanless System with aluminium faceplate for best thermal performance
- Redundant connection without external diodes possible
- Output Power: 130 Watts
- Control-LED
- Primary Connection (100-240V AC):
  - Removable 3-pin connector
- Secondary connection (54V DC):
  - Removable 3-pin connector
- Mutual connection of function earth
- Low Voltage Directive "Protection Class I"



**LANactive**

## Hardware specification

Rated input range	100-240V AC 50-60 Hz
Input range	90-265V AC 47-63 Hz
Input current	1.31A at 115V AC 0.67A at 230V AC
Max. input current	3.15A
AC leakage current	Max. 0.25mA at 240V AC input
Max. inrush current	60A at 240V AC, 25°C
Unload standby power	<0.3W
Isolation	1.5kV
Rated output range	54V DC
Max. output current	2.4A
Max. output power	130W
Electrical protection	Short circuit, overvoltage and overcurrent protection
Efficiency	Min. 90% Typ. 92%
Weight	330g
Dimensions	135 x 45 x 52 mm
Ambient operating temperature range	0 ... 45°C
Storage temperature range	-10 ... 70°C
Relative humidity	5 ... 90%
Safety	CE, EN IEC 62368-1:2014*
EMC	EN 55032:2015, EN 61000-3-2:2014, EN 61000-3-3:2013, EN 55024:2010+A1, EN 55035:2017
Protection	Class I

\*The product is suitable for connection to IT power distribution systems providing 100-240V phase to phase voltage

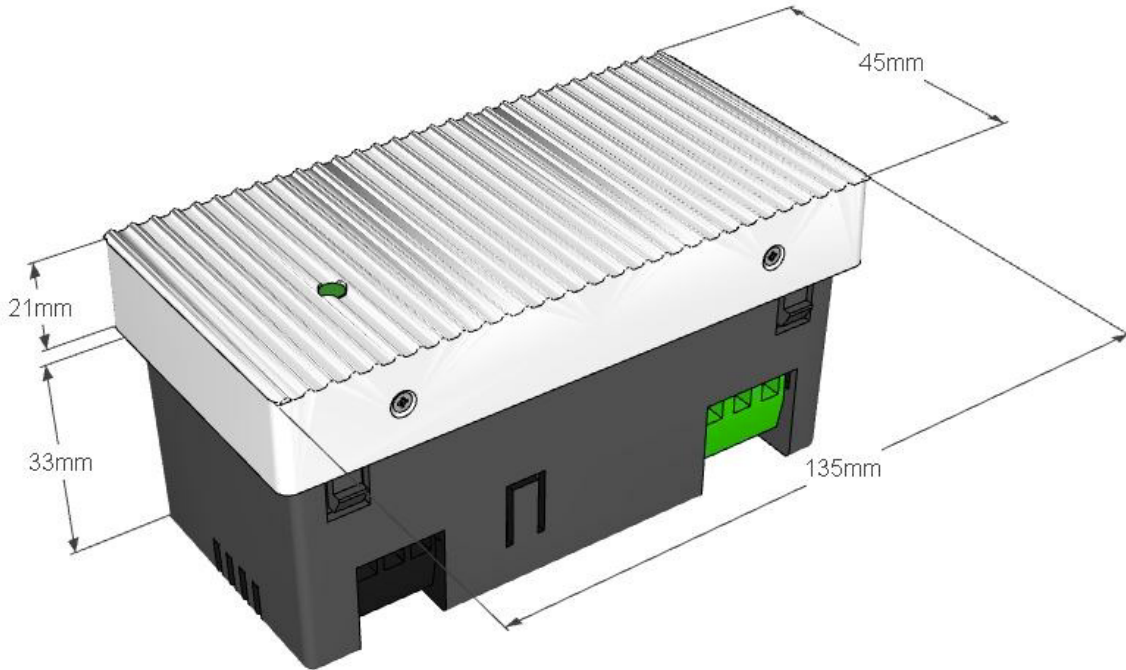
**Connect Com AG**  
Wahligenstrasse 4A  
6023 Rothenburg  
Schweiz  
+41 41 854 00 00  
info@ccm.ch  
www.ccm.ch

**Connect Com SA**  
Route des Avouillons 30  
1196 Gland  
Suisse  
+41 21 804 66 22  
info@ccm.ch  
www.ccm.ch

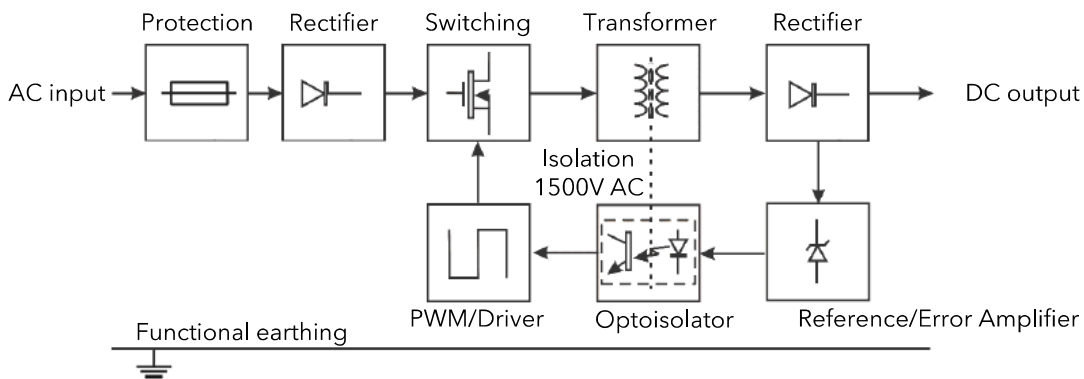
**Connect Com GmbH**  
Stegweg 36-38  
72622 Nürtingen  
Deutschland  
+49 7022 9607 100  
info@connectcom.de  
www.connectcom.de

# Click-In Power Supply 54VDC/130W

## Dimensions



## Block diagram



## Recommendation for installation

Aginode recommends using a C10 circuit breaker as the smallest circuit breaker when using Click-In power supplies. The C tripping characteristic is particularly advantageous in circuits with higher inrush currents. In addition, the number of power supply units connected to a circuit should be limited to a maximum of 10 units.

## Ordering Information

Article Number	Description
1316183	Click-In Power Supply 54VDC/130W 135x45